



MILLER WASTE SOLUTIONS GROUP

LET US HELP YOU GET
YOUR CHUTE TOGETHER.

Miller Waste Solutions Group
Products and Services Guide

Field roundabout joints: Factory welded joints for improved seams and enhanced safety; no joint or rivet protrusions into riser; no raw crimping

Automatic sprinkler heads: Supplied with corresponding openings in the chute at alternate floors

Self-closing doors with trim: Stainless steel; UL labelled

ULC Stamp

Factory assembled to intake section: Equipment that is ready to install, saving time and money

Sloping Throat: Minimizes debris or linen impact; improves door operation; increases chute sanitation

Grid type floor frame: Carefully fabricated and pre-furnished

Hinge door sizes (Inches):

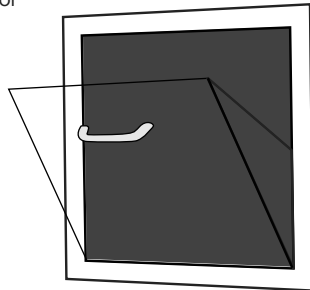
Bottom Hinge	12x12	12x15	15x15	15x18	18x18	21x18	24x24
Side Hinge	12x12	12x15	15x15	18x18	21x21	24x24	

BOTTOM HINGED (Garbage)

When handling loose or small bagged linen or garbage, a hand (or foot) operated bottom-hinged intake door is generally recommended.

Standard features include:

- Stainless steel fabrication
- Hydraulically closing, self-latching
- Side checks to prevent spillage
- Clear opening = 1 inch less than the width x 75% of the height
- UL 1 1/2 hr. fire rating

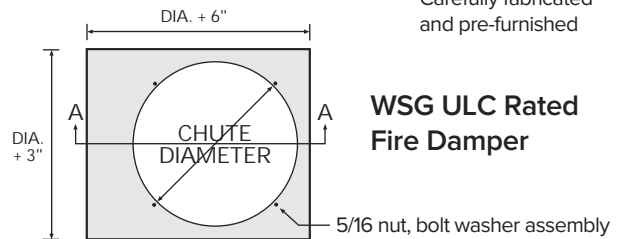
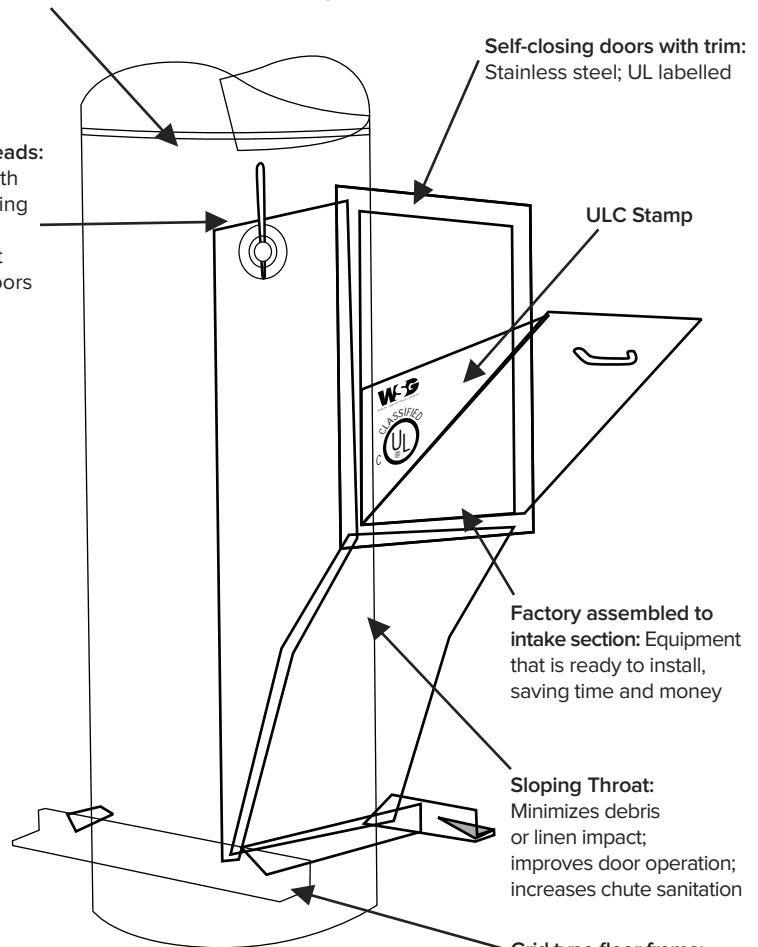
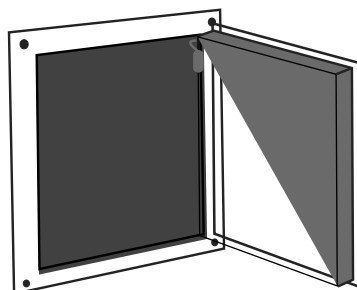


SIDE HINGED (Linen)

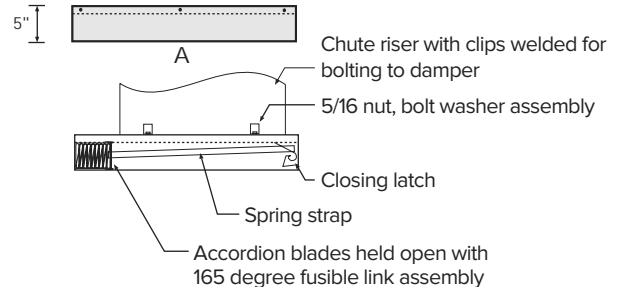
When selecting an intake door for general bagged linen use, the square side-hinged intake door is recommended.

Standard features include:

- Stainless steel fabrication
- Hydraulically closing, self-latching
- Swings a full 180° from closed position for full access to the intake opening
- UL 1 1/2 hr. fire rating



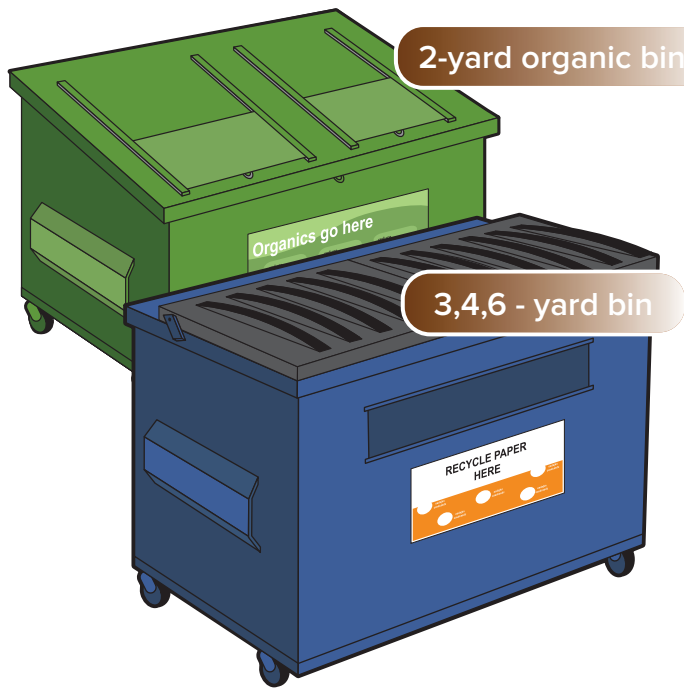
WSG ULC Rated Fire Damper



Containers

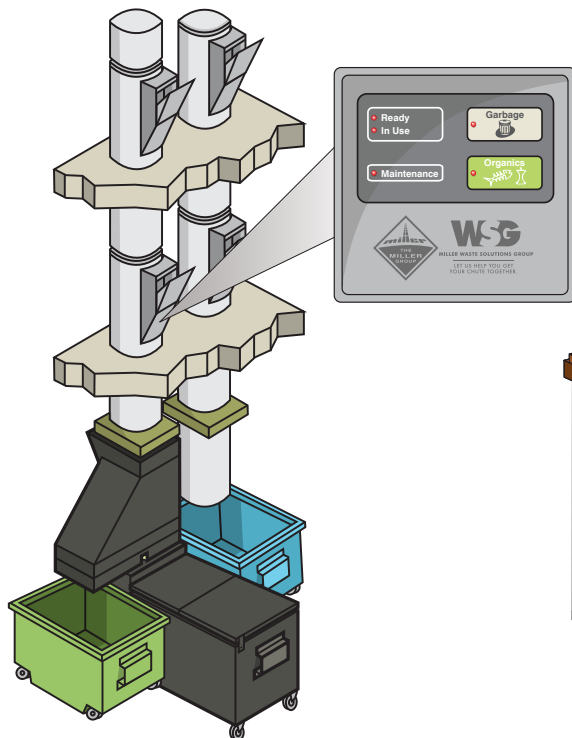
Garbage, Recycling and Organic Front-End Loading Containers

WSG supplies quality-made municipally specified containers. We manufacture both standard (1-yard, 2-yard, 3-yard, 4-yard and 6-yard) and custom sizes to suit your property's unique needs. Our newly engineered FEL "dual" bin, equivalent to the 95-gallon cart, is specifically designed for the smallest of spaces and accommodates front-end collection pick-ups.



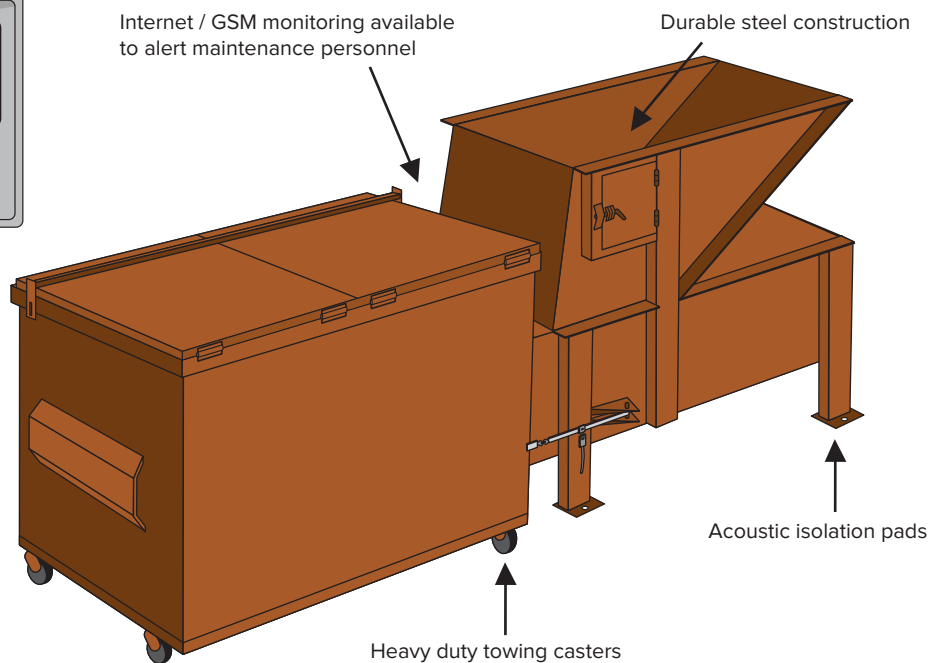
WSG BiSorter

For buildings that have two chutes, the WSG BiSorter allows for both dedicated recycling access and convenient garbage and organic composting options.



WSG Compactors

Our extensive experience in the field of compactors makes WSG the premier sales, service and repairs provider. All WSG compactors meet and exceed municipally specified compaction ratios, ensuring maximum savings.



WSG TriSorter - New Construction and Retrofits

- Reduces garbage hauling fees
- Increases building energy efficiency
- All-in-one garbage, recycling and organics disposal
- Proven increases in recycling capture rates
- Compliant with municipal compaction ratios
- Flexible leasing program available

With increased building legislation and environmental awareness, high-rise residents expect their buildings to be eco-friendly and to provide recycling facilities that are as convenient as garbage disposal.

Resident Convenience

The WSG TriSorter System is a specialized garbage chute extension that uses a building's existing waste equipment. The system directs residents' materials into one of three existing recycling or waste containers. With the TriSorter, building residents have the convenience of garbage, recycling and organics disposal using the existing chutes on each floor. This eliminates the burden of carrying recyclable materials to another location in (or outside of) the building.

System Benefits

Adaptable - Easily retrofitted into most buildings with minimal disruption to residents.

Convenient - Disposes of organics into the same chute, eliminating the hassle of transporting materials through the building.

Eco-Friendly - Third-party studies show that retrofitted buildings increase their recycling recovery rates and decrease garbage going to landfill and associated tipping fees.

Durable - Reduces the wear and tear on common elements, such as elevators, carpets and wall coverings, by collecting all materials in the same garbage chute.

Sanitary - Maintains an environmentally friendly, clean building as potentially flammable recyclables are not stored on each floor.

Economical - Eliminates expensive door-to-door collection by maintenance staff.

Increased Value - Becomes a cost-saving, eco-friendly amenity and selling feature of the building. Flexible payment plans include leasing and installment terms to reduce capital costs.

Support - Maintained by one of the largest service and support fleets in Canada, and backed by our factory-trained technicians.

Enhanced Value - Additional services include pressurized garbage chute cleaning, odour control systems, preventative maintenance programs and waste equipment life-cycle analysis.

Advanced Environmental Technology (AET) Design

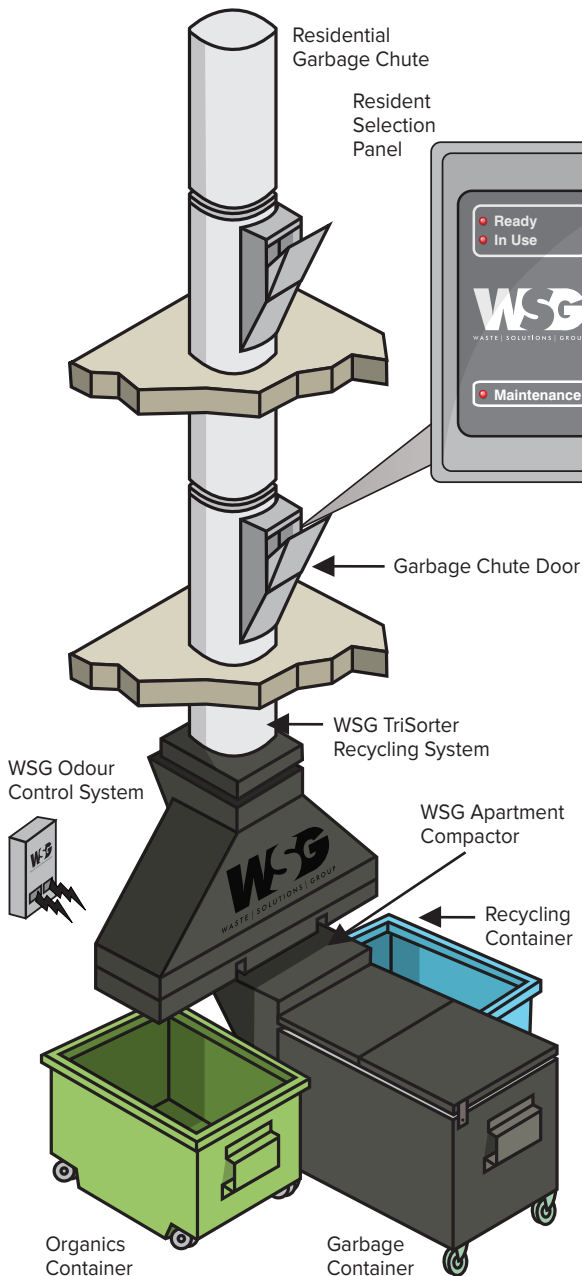
"Smart & Green" - Incorporates the latest environmental technology with solid-state, quality components. Installation contributes to LEED® certification for existing buildings.

Flexible - Programmable components are adaptable to buildings' changing needs.

Energy Efficient - Improved compaction design, including the use of LED lighting and biodegradable oil, reduces energy consumption.

Troubleshooting - Monitoring system signals building staff using existing security hardware, internet or pager.

Locally Produced - Manufactured from regional materials that support local resources and reduce the environmental impact of long-distance transportation.



Services across Canada



We Operationalize Green Thinking.

History

In 1999, a simple idea was born: to create a Canada-wide company dedicated to providing unique solutions to the waste problems associated with the residential high-rise marketplace. From this straightforward goal, Aqua-Jett was born. Combining one partner's expertise in food sanitation plants across Canada, and the other's in residential high-rise garbage systems, a proprietary method of pressure cleaning garbage chutes and compactors was developed, solving the "dirty garbage chute" syndrome.

Through the course of our work, property managers and building superintendents began to ask about other repair work, in addition to cleaning their chutes and compactors. Recognizing a need for quality repairs, Toronto Compactor was integrated into the Aqua-Jett customer base. As waste management legislation in Ontario expanded and condominium residents became more environmentally aware, WSG integrated their proprietary automated recycling systems into the new construction and retrofit markets. These systems allow residents to dispose of their garbage, recyclables and organic materials using a single chute, making recycling and organics as convenient as garbage disposal.

With the company experiencing significant growth in a short period of time, the partners consolidated all of its operations into one simplified company, Waste Solutions Group. WSG has recently expanded our products and services lineup to include garbage and linen chute manufacturing for residential and commercial markets across Canada. These additions make WSG one of the largest and most complete waste equipment companies in North America.

In late 2013, Jason Tower and Rob Sinopoli sold WSG to the Miller Group. The Miller Group, headquartered in Markham, Ontario is a diversified Canadian company providing the public and private sectors with road construction, paving, road and structure rehabilitation, engineering construction, waste management, transit operations, highway operations and maintenance services, aggregate-based materials, cement, asphalt, and ready-mixed concrete.

We look forward to hearing from you soon, and helping you "get your chute together".

Miller Waste Solutions Group Inc.

Head Office

35 Precision Road
Toronto, ON M9W 5H3

Tel: 416.744.9183
Fax: 416.744.0472
Toll-free: 1.866.439.7626

Ottawa Office

Tel: 613.742.7222
Fax: 613.742.7400
Toll-free: 1.866.439.7626

London Office

Tel: 519.286.0440
Fax: 519.286.0441
Toll-free: 1.866.439.7626

www.wastesolutions.ca

